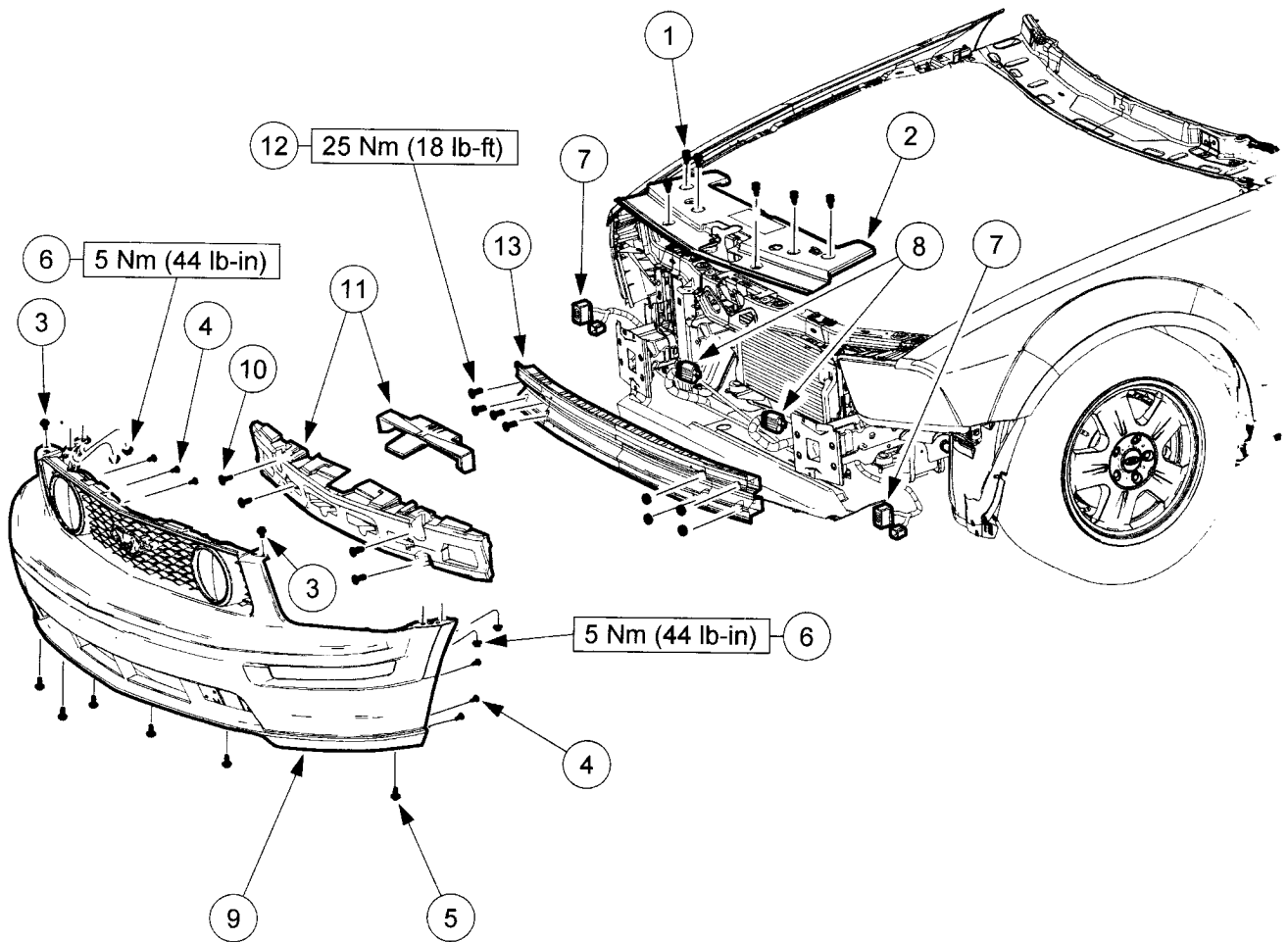


REMOVAL AND INSTALLATION

Bumper — Exploded View, Front



N0009793

| Item | Part Number | Description |
|------|-------------|---|
| 1 | W705436-S | Upper radiator sight shield pin-type retainers (6 required) |
| 2 | 8C288-A | Upper radiator sight shield |
| 3 | N801169-S | Front bumper cover bolts (upper) (2 required) |

(Continued)

| Item | Part Number | Description |
|------|-------------|---|
| 4 | W706805-S | Front fender splash shield-to-front bumper cover screws (6 required) |
| 5 | 56911-S | Front bumper cover-to-valance panel screws (6 required) (if equipped) |

(Continued)

REMOVAL AND INSTALLATION (Continued)

| Item | Part Number | Description |
|------|-------------|---|
| 6 | — | Front bumper cover-to-reinforcement nuts (4 required) |
| 7 | — | Side marker light electrical connectors (part of 14A464) |
| 8 | — | Fog lamp electrical connectors (part of 14A464) (if equipped) |
| 9 | — | Front bumper cover |

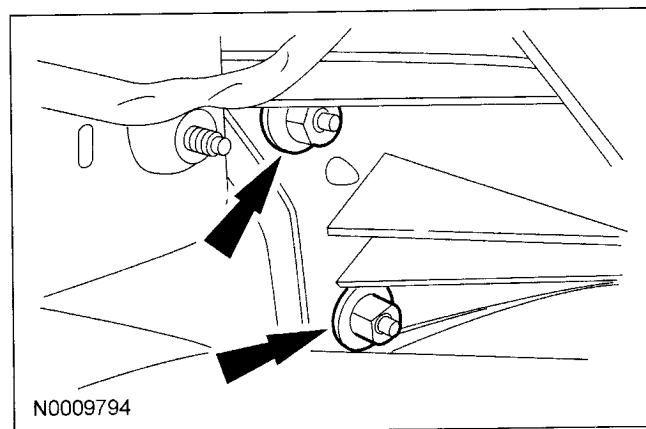
(Continued)

| Item | Part Number | Description |
|------|-------------|---|
| 10 | 17D959 | Front bumper isolator pin-type retainers (4 required) |
| 11 | 17D957 | Front bumper isolator |
| 12 | 17E898 | Front bumper bolts (8 required) |
| 13 | W705319-S | Front bumper |

1. For additional information, refer to the procedures in this section.

Front Bumper Cover**Removal and Installation**

1. Remove the 6 pin-type retainers and the upper radiator sight shield.
2. Remove the 2 upper front bumper cover bolts.
3. Remove the 6 front fender splash shield-to-front bumper cover screws.
4. If equipped, remove the 6 front bumper cover-to-valance panel screws.
5. Position the front splash shield aside and remove the 4 front bumper cover-to-reinforcement nuts.
 - To install, tighten to 5 Nm (44 lb-in).



6. If equipped, disconnect the 2 fog lamp electrical connectors.
7. Disconnect the 4 side marker lamp electrical connectors and remove the front bumper cover.
8. To install, reverse the removal procedure.

Front Bumper**Removal and Installation**

1. Remove the front bumper cover. For additional information, refer to Front Bumper Cover in this section.
2. Remove the 4 pin-type retainers and the front bumper isolator.
 3. Drill out the 6 front bumper spot welds.
 4. Remove the 8 bolts and the front bumper.
 - To install, tighten to 25 Nm (18 lb-ft).
 5. **NOTE:** Spot welding the bumper is not required for installation.
To install, reverse the removal procedure.